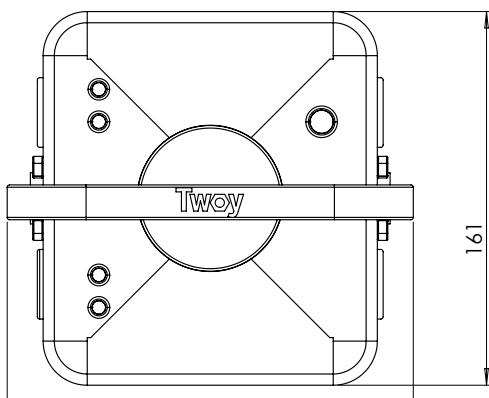
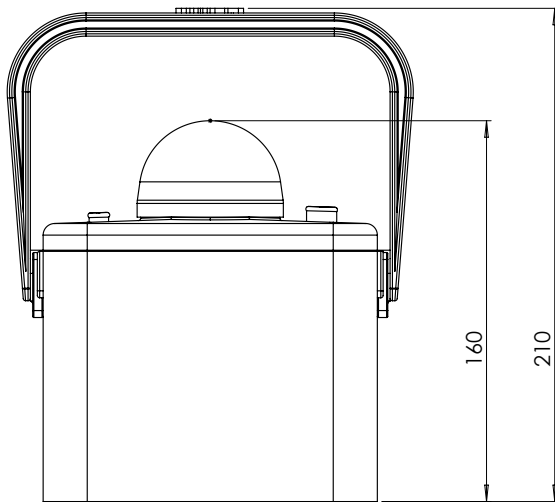


LED PORTABLE AIRFIELD LIGHT



Low intensity portable omnidirectional

TWOY portable airfield light (LIPO -1) is a dual colour and multifunctional omnidirectional battery-operated portable airfield light. Default colours are blue and red. On request there is possibility for other colours, different intensity levels as well as blinking option. Long operation time with photo-cell is included as default.



Main advantages:

- Reliable, robust case.
- Long operational time/battery life time.
- Photocell control
- Correspondence with many fixed lights
- Optional chargeable battery option (coming)
- Up to 4 different colours (red and blue as default)
- Bi-directional on request
- Non-brittle material (down to -50oC)
- Frame default colour yellow
- Firm handle
- Dome made of UV resistance polycarbonate
- possibility for 3 different intensity options on request
- Protection class: IP57

Compliance:

- ICAO ANNEX 14 Volume I
- Aerodrome design manual



Solution with fixed base

LED light source:

- Programmable multicolour LED
- Low power consumption
- Stable light outcome
- Long lifetime of light source
- Normally maintenance free

Technical details:

Battery life:
Full brightness 300h
With photocell: 25 Days
Dimmed mode 1000h
Dimmed mode with photocell: 3months.

On request:

Different colours
Different intensities
Different blinking modes

Note: Due to dual colour solution or RGB multi-chip solution there is certain variation light out-come in horizontal angles.



Solution with wing base